



ZROADZ[®]

OFF ROAD PRODUCTS



2014-2021 TOYOTA TUNDRA

Z859661

MODULAR LIGHTWEIGHT LOAD-CARRYING EQUIPMENT RACK

PARTS ARE PATENT PENDING. ALL RIGHTS RESERVED - COPYRIGHT ©2016 - ZROADZ LED, INC.

PARTS INCLUDED

Z859661

- (1) Left Rack Assembly
- (1) Right Rack Assembly
- (1) Head Panel
- (3) Crossbar

HARDWARE INCLUDED

Z859661

- (26) M8 x 1.25 MM x 20 MM Screw (Black Oxide)
- (28) M8 x 1.25 MM Flange Nut
- (28) Split Lock Washer for M8 Screw Size (Black Oxide)
- (2) M8 x 25 MM Hex Bolt
- (8) 3/8" x 7/8" Flat Washer
- (6) 3/8" - 16 x 1.25" Button Head Socket Screw
- (6) Track Insert Nuts
- (2) Rubber Padding Strips
- (4) 5/16" Wire Clamps
- (4) Push Rivets

LEDS INCLUDED

Z859661

- (2) 3" White Pod Lights
- (1) Wiring Harness

INSTALLATION GUIDE

START HERE

PLEASE READ AND UNDERSTAND ALL INSTRUCTIONS BEFORE INSTALLATION. Auto makers offer varied models to each vehicle and occasionally manufacture more than one body style of the same model. To assure your part is correct, our tech department can be contacted at orders@zroadz.com to verify fitment and assist with technical questions. All other inquires can be directed to orders@zroadz.com. In the event you do not have internet access please call 844-653-8040

* APPLICATION MODELS VARY. WE RECOMMEND TO VERIFY FITMENT BEFORE BEGINNING INSTALLATION PROCESS.
* IMAGES FEATURED IN THE INSTRUCTION DOCUMENTS MAY NOT ALWAYS EXACTLY MATCH YOUR MODEL OR PART.

STEP 1



- 1) Apply the Rubber Padding Strips to the underside of each Rack Assembly.

STEP 2



- 2) Begin the assembly of the rack by installing the Front Crossbar. Hold up the Left Rack Assembly and locate the four holes found on its slot rail. Match these four holes with the ones found on the Crossbar.



INSTALLATION - CONTINUED

PARTS ARE PATENT PENDING. ALL RIGHTS RESERVED - COPYRIGHT ©2016 - ZROADZ LED, INC.

STEP 3



3) Secure the Crossbar onto both side Assemblies using the four holes on each side. Fasten each side using (4) M8 x 1.25 MM x 20 MM Screws, (4) Split Lock Washers and (4) M8 x 1.25 MM Flange Nuts.

STEP 4



4) Prepare the Head Panel for installation. Match the Head Panel flange holes with those found on the Crossbar flange. Using (2) M8 x 1.25 MM x 20 MM Screws, (2) Split Lock Washers and (2) M8 x 1.25 MM Flange Nuts secure the Head Panel to the Crossbar.

STEP 5



5) Continue with the fastening of the Head Panel onto the side Assemblies. As shown above, fasten each side of the Head Panel to a Leg using (4) M8 x 1.25 MM x 20 MM Screws, (4) Split Lock Washers and (4) M8 x 1.25 MM Flange Nuts.

STEP 6



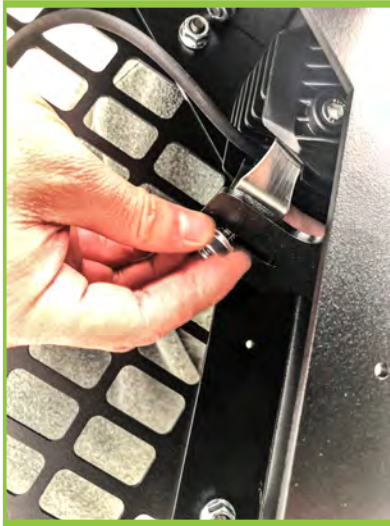
6) Install the (2) other Crossbars and secure them using (4) Split Lock Washers, (4) M8 x 1.25 MM x 20 MM Screws and (4) M8 x 1.25 MM Flange Nuts for each Crossbar. These can be placed anywhere along the length of the slot rail.



INSTALLATION - CONTINUED

PARTS ARE PATENT PENDING. ALL RIGHTS RESERVED - COPYRIGHT ©2016 - ZROADZ LED, INC.

STEP 7



7) Install each 3" LED Light Pod to its mounting bracket using (1) Split Lock Washer, (1) 3/8" x 7/8" Flat Washer, (1) M8 x 25 MM Hex Bolt and (1) M8 x 1.25 MM Flange Nut. Once the rack is mounted use the Push Rivets and Cable Clamps to discreetly manage the wiring.

STEP 8



8) Place (3) Track Insert Nuts into each side of the truck's rail track system. Space each about 25 inches apart in order to match the holes found on the rack's base.

STEP 9



9) With the help of another person, mount the rack onto the truck's bed rails. Before mounting ensure that all of the rack's screws are tightened. Once mounted, align the Track Insert Nuts with each slot on the rack's base.

STEP 10



10) Tighten each base using (3) Track Insert Nuts, (3) 3/8" x 7/8" Flat Washers and (3) 3/8" - 16 x 1.25" Button Head Screws for each side.



ZROADZ

DYNAMIC LED MOUNTING SOLUTIONS

ZROADZ PRODUCT WARRANTY

ZROADZ PRODUCT WARRANTY

ZROADZ warrants its grille products to be free from defects in material and workmanship for the lifetime of the grille. ZROADZ warrants the finish of its grille products for a 3 year period beginning at the time of sale to the end user. These warranties are limited warranties and do not cover abuse, modification or improper installation nor do they cover finish failure caused by caustic cleaning agents, road salts or other chemicals. ZROADZ reserves the right to repair or replace a defective product at its sole discretion. Any ZROADZ product must be returned to ZROADZ for warranty consideration and must be returned at the customer's expense. In the event that the product is deemed to be defective, the repaired or replaced item will be returned via a surface shipping method to the customer at ZROADZ expense. No provision is made for any labor, rental car or other costs incurred by the failure of its products.

LED LIGHTING EQUIPMENT INSTALLATION / DISCLAIMER

WARNING

PLEASE CONSULT YOUR LOCAL AUTOMOTIVE ELECTRICAL PROFESSIONAL FOR INSTALLATION SERVICES AND ADVICE. ZROADZ IS ONLY EQUIPPED TO PROVIDE BASIC TECHNICAL ASSISTANCE DUE TO THE DIVERSITY OF VEHICLES, VEHICLE OPTIONS & MODIFICATIONS AND LIGHTING CONFIGURATION OPTIONS AVAILABLE. ZROADZ cannot be held liable due to improper component installation and / or faulty wiring.

GENERAL GUIDELINES

LED Lights & LED Light Bars operate at relatively high currents and should only be installed by qualified personnel with experience in switched / relayed high draw DC Circuits.

- Light Bars are designed for use only with standard 12v DC power systems
- Light Bars are for OFF-ROAD USE ONLY. Check your local laws & regulations regarding vehicle mounted lights.
- Some Light Bars are equipped with waterproof connectors while others are simply pig-tailed
- Red Wires = POSITIVE | Black Wires = NEGATIVE
- ALWAYS install your lights on a fused circuit. Basic fusing guidelines: maximum 5A for every 10" of LED Light Bar.

GENERAL USE, INSTALL AND ADJUSTMENT TIPS

NOTE 1: ZROADZ LED Light Bars themselves are for OFF-ROAD USE ONLY.

NOTE 2: Light Bars depending on the configuration of your vehicle and its options and/or modifications may need to be adjusted for appropriate beam projection. To adjust the angle of your light bars simply loosen the mounting hardware on either side of each Light Bar, rotate the Light Bar to adjust the angle, then tighten the hardware once the desired angle is achieved (please be careful not to over-tighten the mounting hardware or scratch the protective powder-coat finish). It is best to adjust the angle with the vehicle on level ground with the lights facing a wall, garage door or other solid barrier at a distance of approximately 25-30 feet.

NOTE 3: Please consult a qualified automotive electrical professional for light bar wiring installation.

NOTE 4: An optional universal wiring harness (part# Z390029S-A) is also available that includes high-heat & oil/fuel resistant wires, waterproof connector, 12v relay, 12v rocker switch, inline fuse holder. Our universal wiring harness significantly expedites the installation process but is not a vehicles specific "Plug & Play" product and does not eliminate the need for a professional installation.

Please contact your local ZROADZ dealer for more information or visit www.zroadz.com.

PRODUCT CARE INFORMATION

PRODUCT CARE INFORMATION

Wash regularly as you would when caring for your vehicles. Never use dish soap. Never leave wet water spots as that may leave a blemish.

MATTE BLACK FINISH

Paint warranty applies to defects in material and / or workmanship, it does not cover the matte finish surface appearance.

To enjoy the matte appearance for many years to come, please follow these owner care and maintenance tips.

Get a no-shine matte car wash soap that uses no fillers, no silicone, and won't strip your matte paint of its layer of protection.

Do not use wax, detail spray, armorall®, or any products made for normal paint. Use only products specifically developed for matte finish paint. Do not use products that are even mildly abrasive, such as polishes, glazes, or rubbing compounds. Do not use mechanical cleaners or polishers. Do not use terrycloth, cloth, or paper towels. Do not rub the finish vigorously, this will burnish the paint finish, causing a permanent shiny spot. Shiny spots cannot be removed.

Do not use commercial car wash facilities or their shine enhancement products. Most car wash brushes, large mechanized "towels," and shine enhancement products can damage matte paint.

Remove foreign substances such as insect remains, tar, and road debris using a soft applicator and a mild solvent; saturate and soak area before cleaning—rub lightly.

Hand-wash with a soft wash mitt and mild cleaning product safe for matte paint. Use microfiber cleaning cloths with alcohol-based window cleaner for basic surface clean-up.

GLOSS BLACK FINISH

ZROADZ with Gloss Black Powder Coated Finish may be washed regularly as you would when caring for your vehicles finish using soap and water. ZROADZ should be waxed at the same time that you wax the vehicle. As a general rule, anything you use to clean your vehicles painted surfaces can be used to clean and maintain your ZROADZ grille. A Gloss powder Coated Finish can be cared for in the same fashion that you would care for your vehicles factory paint job. Never leave wet water spots as that may leave a blemish.



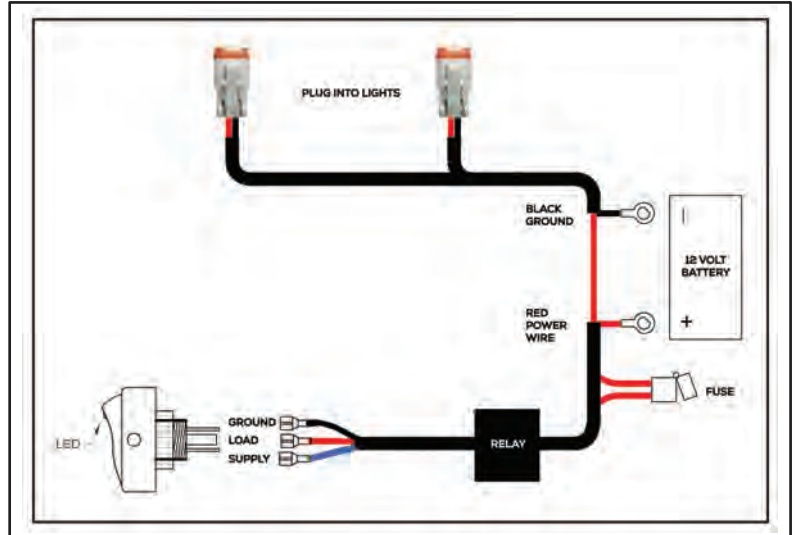
ZROADZ[®]
OFF ROAD PRODUCTS

MOUNTING YOUR LIGHTS

1. Choose a location on your vehicle to mount your light(s). Install the light(s) and loosely tighten. You will secure them later when aiming.

WIRING YOUR LIGHTS

1. **Remove the fuse from the harness.** Find a suitable location inside the passenger compartment for your switch. Mark and drill a single hole with 49/64" Drill Bit. You may use the featured Diagram Template to mock up, position, and measure. Next carefully file 3 notches as shown.
2. Connect the harness to the light(s) and route the harness back towards the battery. Attach the **RED** wire to the positive side of the battery or power source. Attach the **BLACK** wire to the negative side of the battery or chassis ground.
3. Continue routing the switch side of the harness into the vehicle. Once the wires are inside the vehicle install the switch to the hole drilled during Step 1.
4. Before replacing the fuse, ensure the switch is in the off position (see below). Replace the fuse and turn on your lights.



AIMING YOUR LIGHTS

Fog Lights - The vertical aiming of fog lights is very important. Because of the low mounting position relative to the ground (12 to 30 inches), they should be aimed parallel to the ground or lower. Fog lights should be aimed so the cutoff is on or below your horizontal low beam for best results. The side to side adjustments are up to you. A large center overlap will increase center light and decrease overall width. A slight center overlap will increase your side lighting and give even coverage overall.

Driving Lights - Driving lights are used to supplement your high beams. They should only be used in conjunction with high beam headlights. The horizontal centers of the beams may be aimed at the same level as your high beam. The width is up to you as you may prefer to light the sides of the road at a distance rather than concentrating the majority of the light down the middle.

Off Road Lights - Since lights such as these are not legal on any public road or highway, aiming your off road or competition lights is entirely up to you. Most prefer the beam as far down the road as possible, others adjust them slightly off to the sides.

After aiming the lights to your preference, tighten all hardware.

